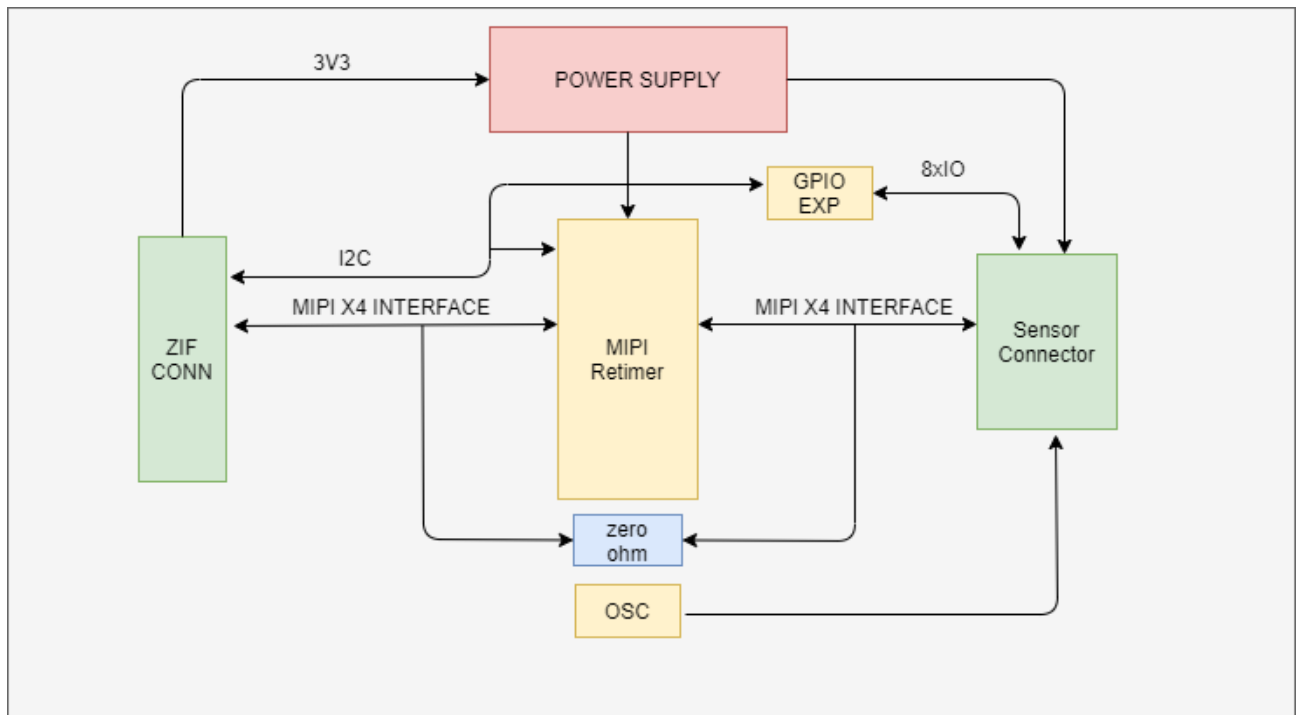


FEATURES OF THE BOARD

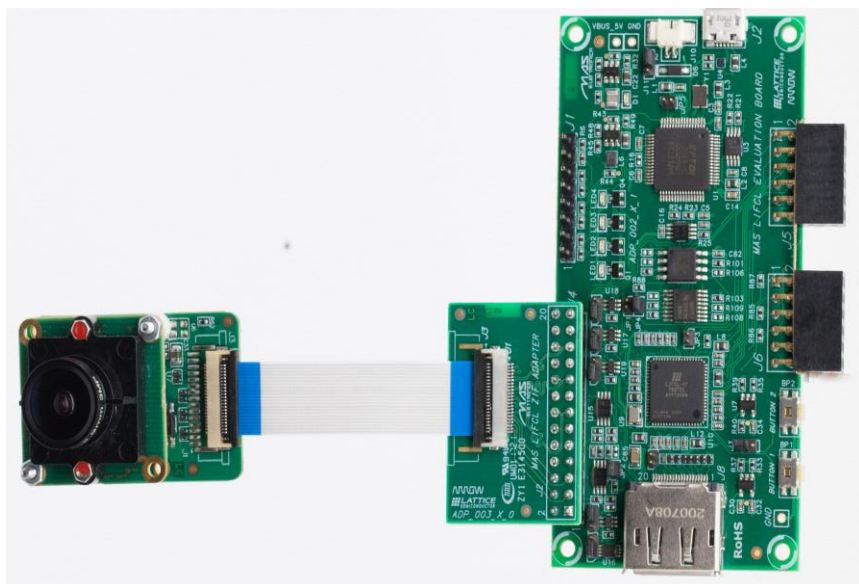
- ❖ Video up to 4K 60FPS
- ❖ **On Board programming**
- ❖ IMX415,IMX296,IMX335,IMX334,HDP230
- ❖ **Modular MIPI Sensor Connector**
- ❖ **3V3 Power Supply**

BLOCK DIAGRAM



FEATURES OF THE BOARD

FPGA LATTICE	Crosslink LIF-MD6000-6JMG80
Video IN	1x CSI support 1 to 4x up to 4K 60fps input
Video OUT	1x CSI support 1 to 4x up to 4K 60fps output
EEPROM	For Board identification
I2C Expander	I2C I/O Expander for remote I/O control
CSI CONNECTOR	General Purpose MIPI Modular Sensor connector (FRAMOS FSM modules IMX415,IMX296,IMX335,IMX334,HDP230)
POWER	3,3V single supply using the Display Port Connector
Dimensions	39mm x 26,5mm



**CSI2 MIPI
CAMERA
APPLICATION**

ORDERING

ORDERING CODE	DESCRIPTION	Comments
ADP_006_0_0	Full feature board	Standard product