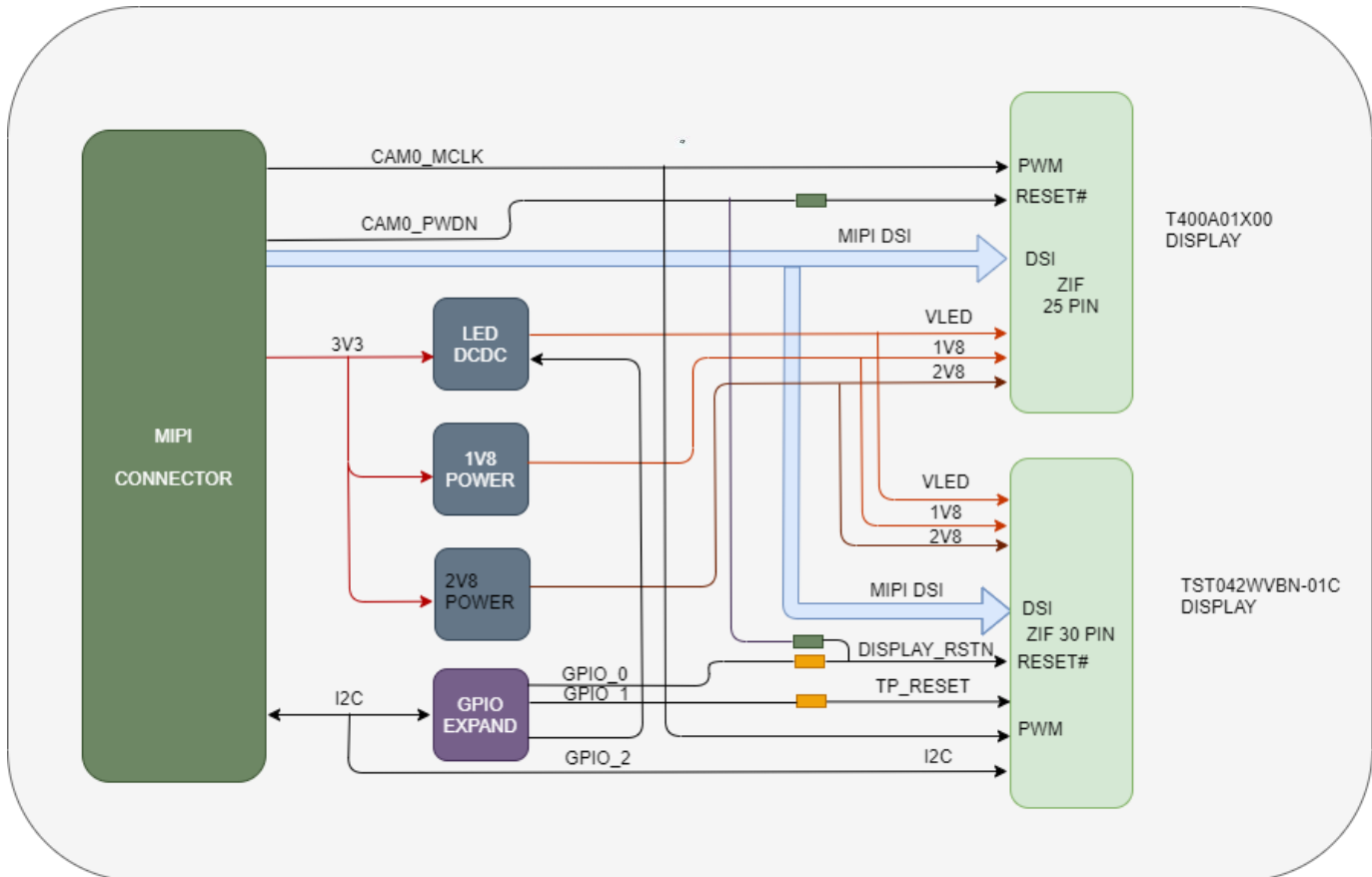


## FEATURES OF THE BOARD

- ❖ Connector to MAS LIFCL Evaluation Board
- ❖ On Board Backlight Power
- ❖ 3V3 Power Supply

## BLOCK DIAGRAM



## FEATURES OF THE BOARD

<b>FPGA LATTICE</b>	<b>Crosslink LIF-MD6000-6JMG80I</b>
<b>Video IN</b>	4x DSI Input
<b>Video OUT1</b>	4x DSI Output Connector ZIF 25 poles for display T400A01X00
<b>Video OUT2</b>	4x DSI Output Connector ZIF 30 poles for display TST042WVBN-01C
<b>LED</b>	2 x led for power indications
<b>I2C Expander</b>	I2C I/O Expander for remote I/O control
<b>POWER</b>	3,3V single supply using the Display Port Connector
<b>Dimentions</b>	33.5mm x 36mm



**MAS\_LIFCL\_EVALUATION BOARD**



**DISPLAY MIPI**

## ORDERING



ORDERING CODE	DESCRIPTION	Comments
ADP_008_0_0	Full feature board	Standard product