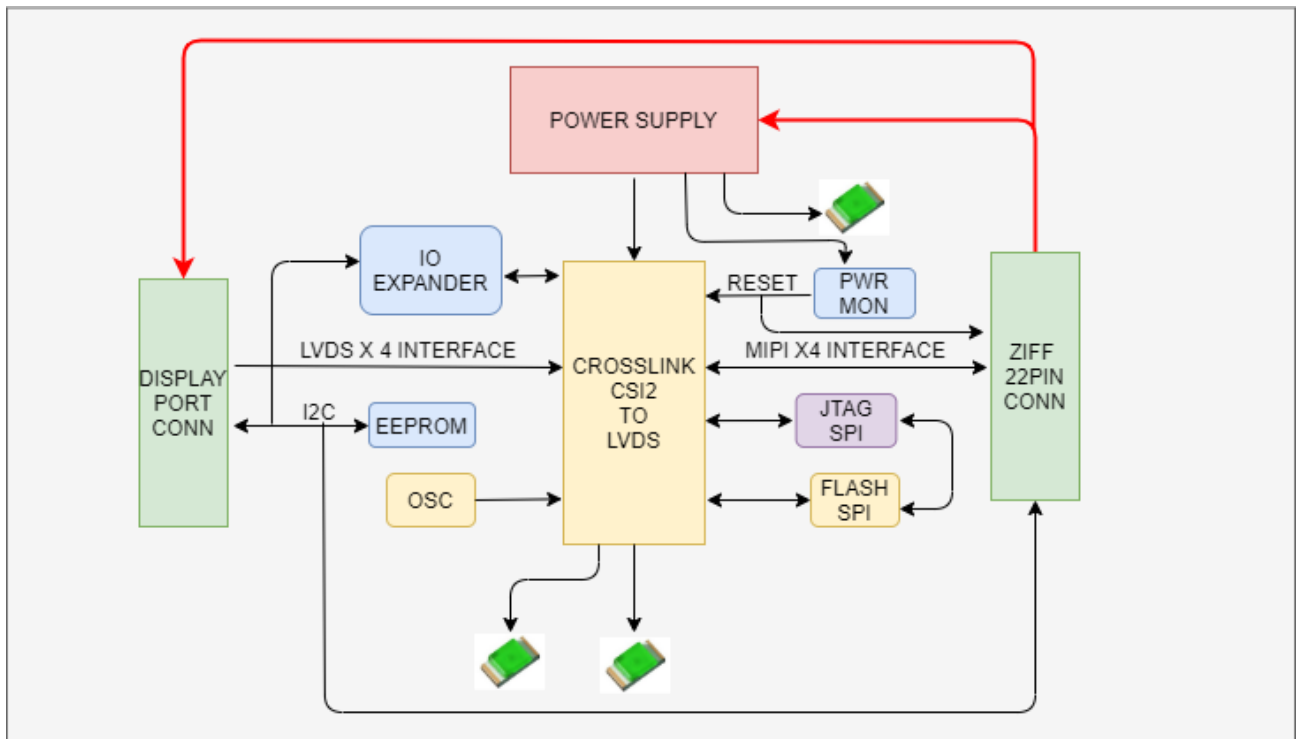


FEATURES OF THE BOARD

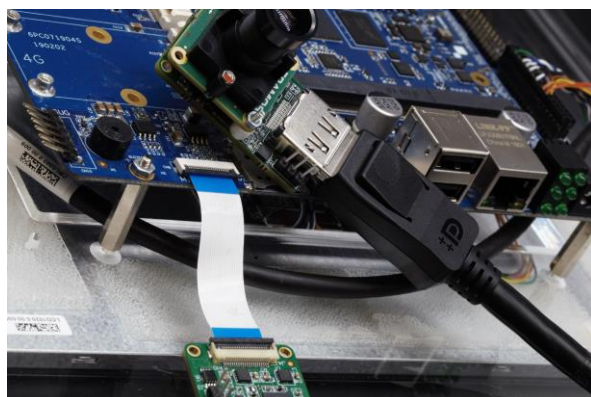
- ❖ Lattice Crosslink LIF-MD6000
- ❖ On Board programming
- ❖ LVDS Transmitter on Display Port connector
- ❖ MIPI Sensor ZIFF Connector
- ❖ 3V3 Power Supply

BLOCK DIAGRAM



FEATURES OF THE BOARD

FPGA LATTICE	Crosslink LIF-MD6000-6JMG80I
Video	1x HARD CSI support 1 to 4x up to 4K 38fps through Zif Connector
Video	LVDS Receiver 4x up to 4K 38fps Through Display Port connector.
JTAG	SPI and JTAG for for programming
LED	2 x led for general purpose use
I2C Expander	I2C I/O Expander for remote I/O control
Flash SPI	ON Board 16Mbit SPI FLASH for bit stream or general purpose use
CSI CONNECTOR	General Purpose MIPI Modular Sensor connector
POWER	3,3V single supply using the Display Port Connector
Dimentions	40mm x 80mm



**CSI2 MIPI REMOTE LVDS
CABLE APPLICATION**

ORDERING



ORDERING CODE	DESCRIPTION	Comments
ADP_005_0_0	Full feature board	Standard product