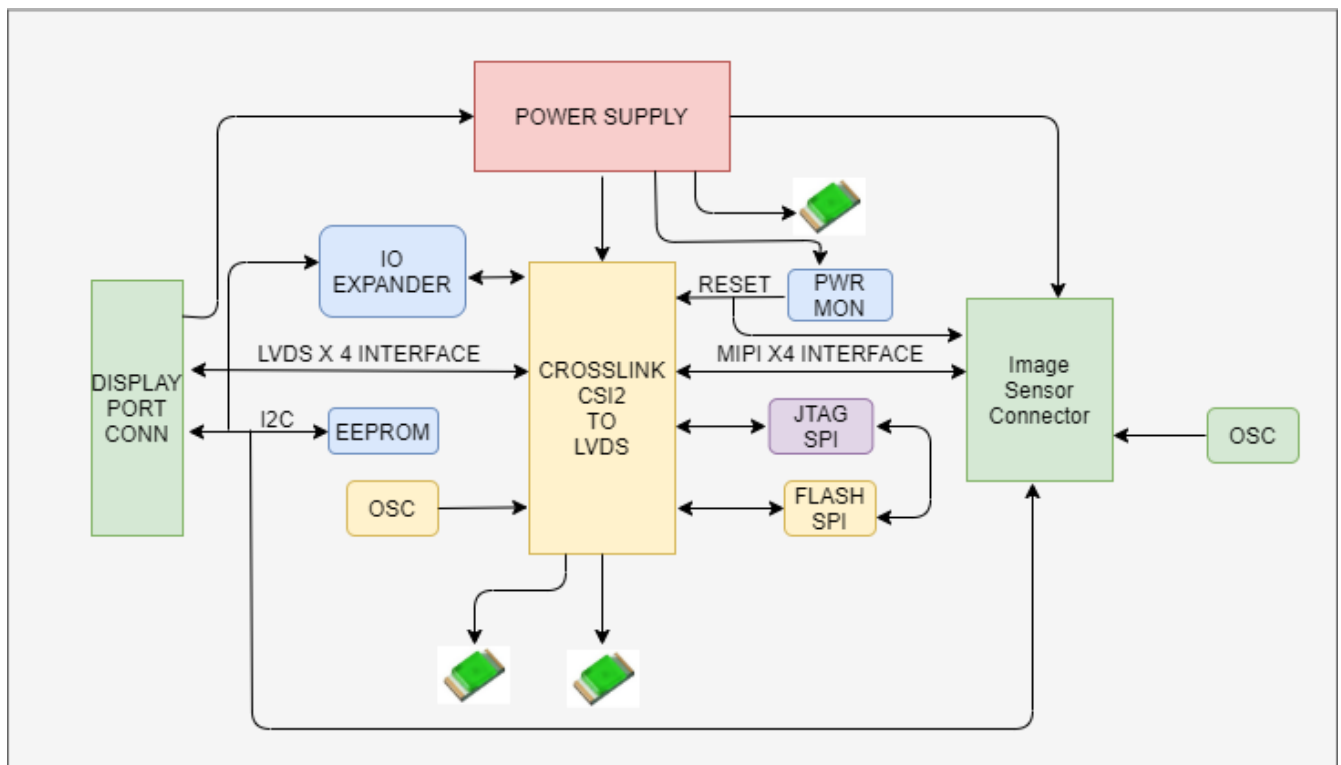




## FEATURES OF THE BOARD

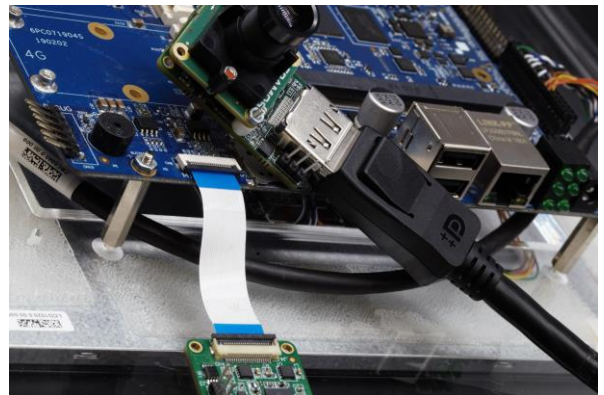
- ❖ Lattice Crosslink LIF-MD6000
- ❖ On Board programming
- ❖ LVDS Transmitter on Display Port connector
- ❖ Modular MIPI Sensor Connector
- ❖ 3V3 Power Supply

## BLOCK DIAGRAM



## FEATURES OF THE BOARD

FPGA LATTICE	Crosslink LIF-MD6000-6JMG80I
Video	1x HARD CSI support 1 to 4x up to 4K 60fps
Video	LVDS Transmitter 4x up to 4K 38fps <b>Through Display Port connector.</b>
JTAG	SPI and JTAG for for programming
LED	2 x led for general purpose use
EEPROM	For Board identification
I2C Expander	I2C I/O Expander for remote I/O control
Flash SPI	ON Board 16Mbit SPI FLASH for bit stream or general purpose use
CSI CONNECTOR	General Purpose MIPI Modular Sensor connector (FRAMOS FSM modules)
POWER	3,3V single supply using the Display Port Connector
Dimentions	44mm x 26,5mm



**CSI2 MIPI REMOTE LVDS  
CABLE APPLICATION**

## ORDERING



ORDERING CODE	DESCRIPTION	Comments
ADP_004_0_0	Full feature board	Standard product