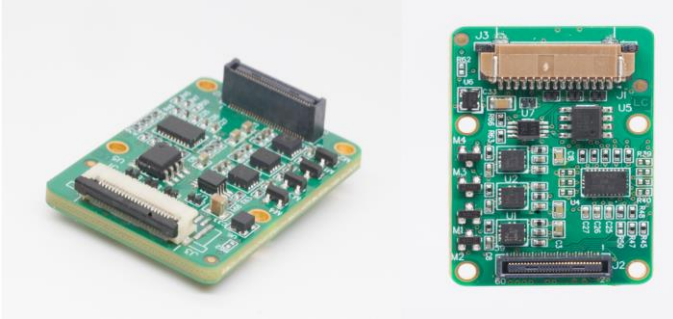
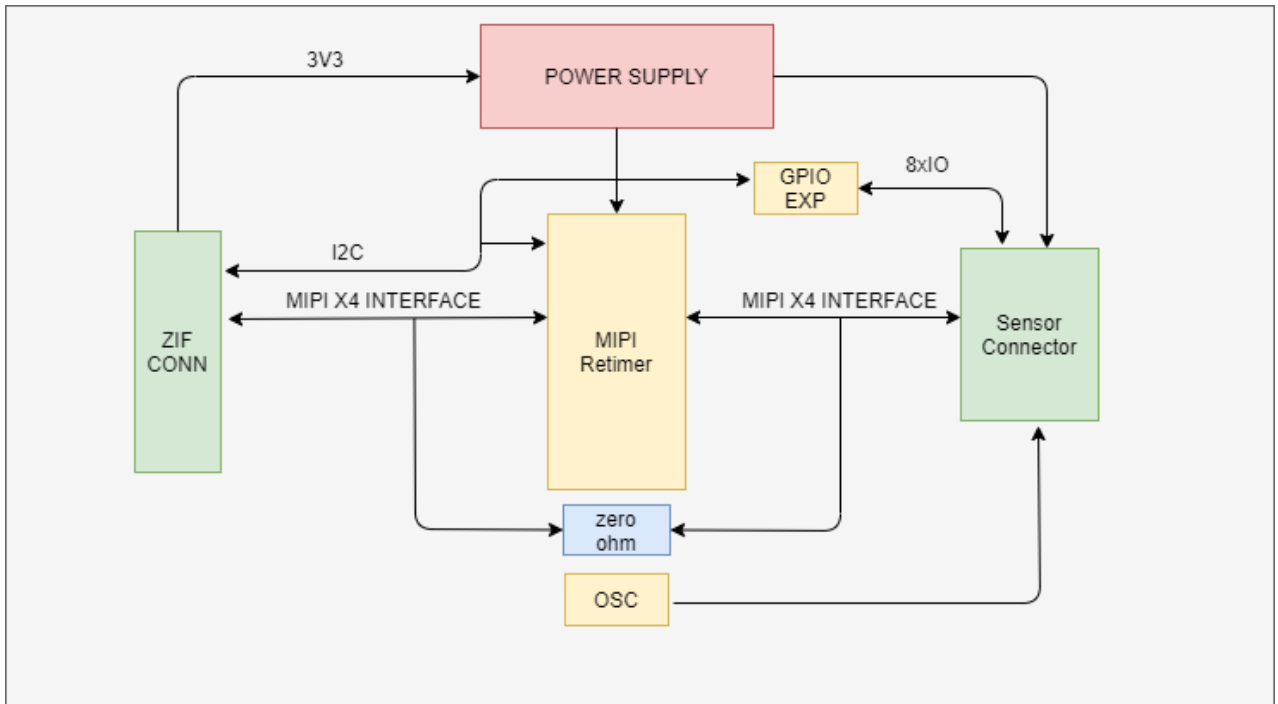


FEATURES OF THE BOARD

- ❖ Multisensor support
- ❖ On board for Board ID
- ❖ MIPI redriver Port connector
- ❖ Modular MIPI Sensor Connector
- ❖ 3V3 Power Supply

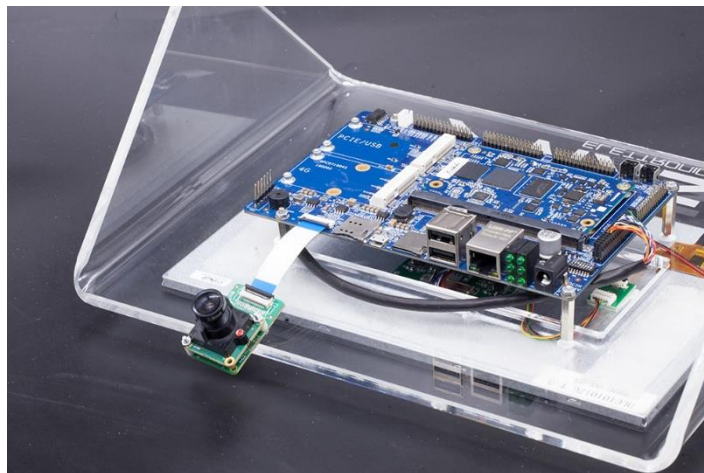


BLOCK DIAGRAM



FEATURES OF THE BOARD

Product Name	MAS_SENSOR_ADAPTER
Video	MIPI CSI redriver SN65DPHY440 (Redriver in bypass mode)
Video	Video up to 4K 60FPS
POWER	INTEGRATED POWER SUPPLY for sensor
Supported Sensors	IMX415,IMX296,IMX335,IMX334,HDP230
EEPROM	For Board identification
I2C Expander	I2C I/O Expander for remote I/O control
Software support	Linux Driver for all sensors
CSI CONNECTOR	General Purpose MIPI Modular Sensor connector (FRAMOS FSM modules)
POWER	3,3V single supply using the Display Port Connector
Dimensions	44mm x 26,5mm



ORDERING

ORDERING CODE	DESCRIPTION	Comments
ADP_006_0_0	Full feature board	Standard product