

Processor

Freescale iMX8M Nano Quad Cortex A53 + M7

Software

Linux, Yocto

APPLICATION AREAS



INDUSTRIAL



AUTOMOTIVE



MEDICAL

ANITA i.MX8M Nano Smarc 2.0 Module

The Anita i.MX8M NANO CPU is a general purpose system on module compliant with SMARC 2.0. Designed to work in Industrial, Automotive and consumer environment.

Main Features are:

- ★ Scalable ARM Performance with up to 4x 1.5GHz Cortex-A53 and 1x Cortex-M7 up to 750MHz,
- ★ 3D Open GL 3.1 Graphics with Full HD resolution,
- ★ MIPI CSI-2 camera interface.
- ★ TPM 2.0 security module.
- ★ Extended longevity up to 15 years.



i.MX8M Nano Anita SOM

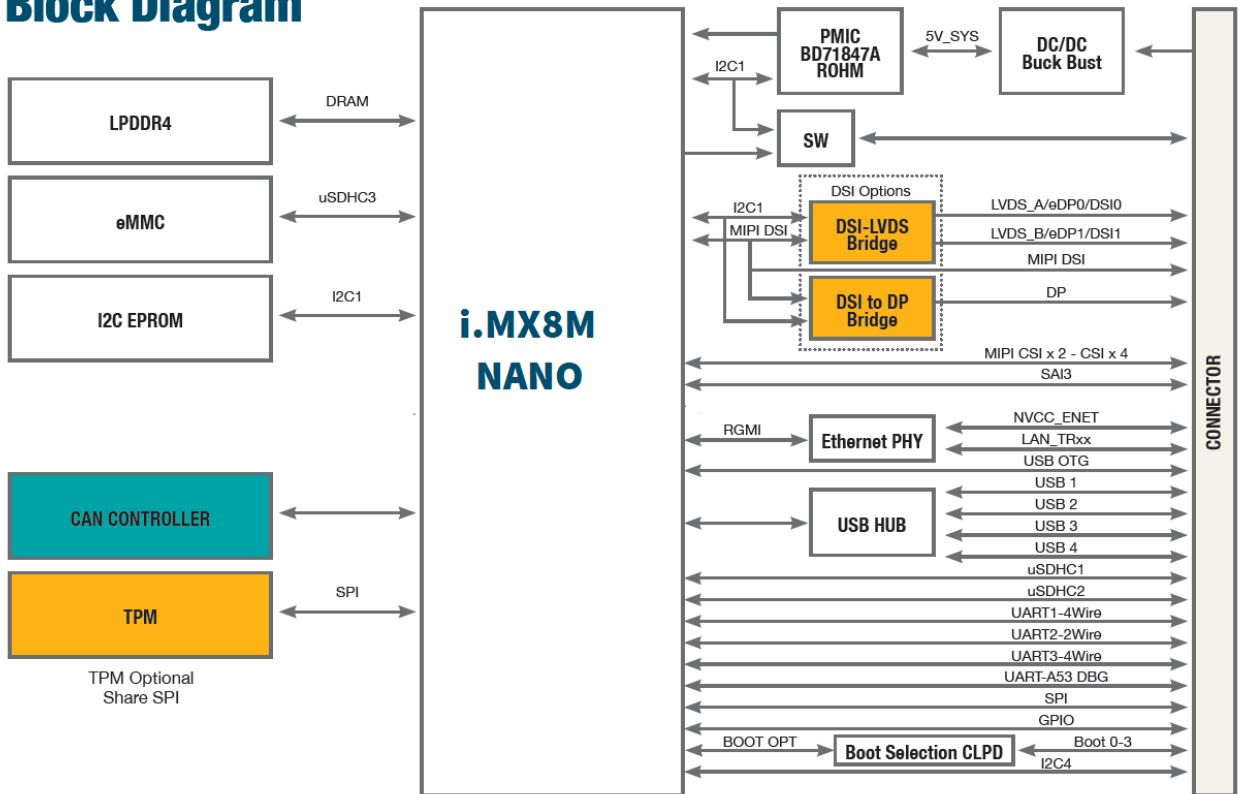
FEATURES OF THE Anita SOM

Arm® Core	Anita i.MX8M Nano SOM
Arm® Core	4 X Cortex-A53, 1 X Cortex-M7
DRAM	LPDDR4 - 3600 up to 2GB
eMMC	4GB, ver 5.0 (HS400) expandable up to 64GB
TPM	Trusted Platform Module compliant 2.0
GPU	3D GPU (2x shader, OpenGL® ES2.0/3.0/3.1, OpenCL™ 1.2, Vulkan®)
CSI	1x MIPI CSIx4
VIDEO	2x LVDS up to 1080P60fps 1x eDP up to 1080P60fps 1x DSI up to 1080P60fps

Arm® Core	Anita i.MX8M Nano SOM
Ethernet	1 x Gigabit
WiFi/BT	Wi-Fi/BT Module SX-SDMAC-2832S+
USB	4 x USB 2.0 1 x USB 2.0 OTG
Operating System	Linux 5.4.3, Yocto Zeus
Dimensions	85x50mm
Temperature	-40° to +105° C

BLOCK DIAGRAM

Block Diagram



ORDERING

ORDERING CODE	DESCRIPTION	Comments
ANA_000_0_0	Full feature board	Standard product