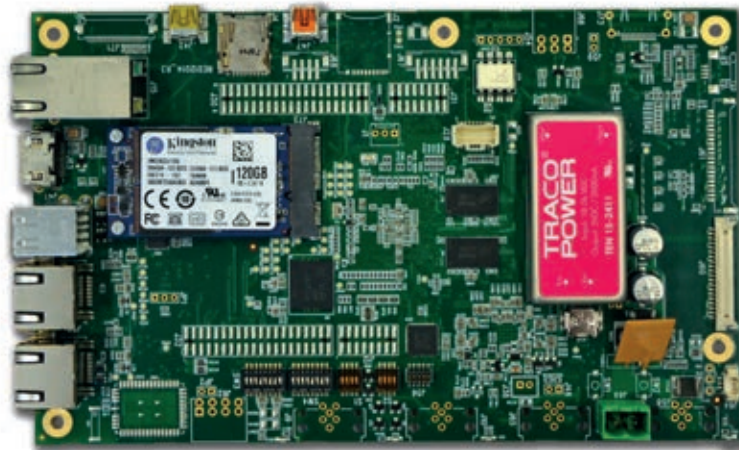


SBC STELLA i.MX6


CLOUD SERVICE



HIGH PERFORMANCE
DUAL DISPLAY
DUAL CAMERA

116 mm

189 mm

Processore i.Mx6 Cortex™ A9 MPCORE™
Software LINUX (Ubuntu) / ANDROID NOUGAT 

APPLICATION AREAS:



MEDICAL



MULTIMEDIA



SECURITY



INDUSTRIAL

STELLA SBC - i.MX6 High performance CPU Module

Supporting the i.mx6 Quad / Dual / DualLite / Single core ARM Cortex™ A9. It processes data and communicates very effectively thanks to its multi-core processing and connects to the **Cloud and Internet of Things (IOT)** through the MQTT protocol.

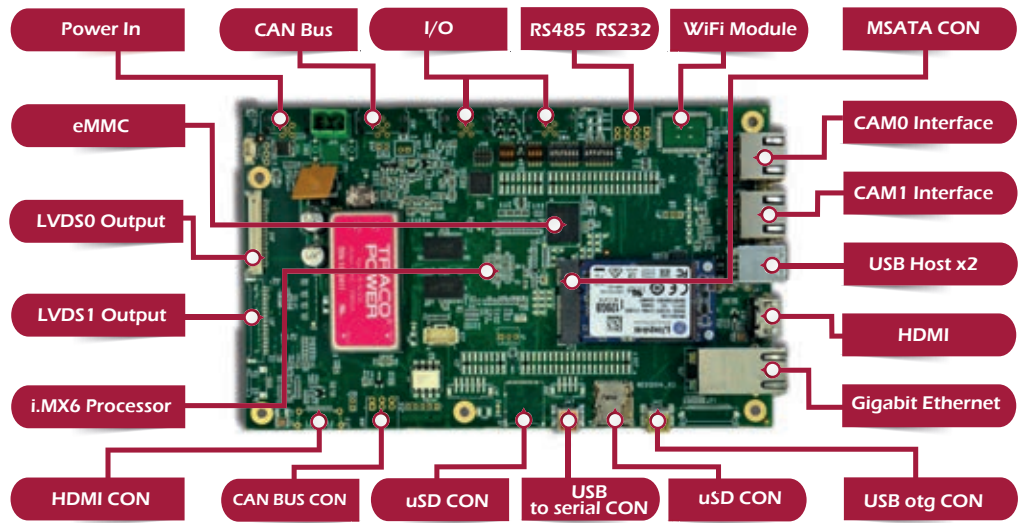
Robustness and reliability, especially in environmental conditions of high stress, which makes it ideal for industrial and medical application areas.

This versatile solution's -40 to 85 °C temperature range and Dual CAN support is ideal for industrial and medical applications, while 1080p video and graphics accelerations make it equally suitable for intensive multimedia applications.

www.maselettronica.com



SBC STELLA



STELLA [SBC]

Robustness, reliability and endurance in situations of high stress. Customizable according to needs, processes and communicates data extremely quickly. Connects to Cloud and Internet of Things (IoT)

CPU	
CPU name	i.MX6 NXP
CPU type	Cortex™ A9 MPCore™ Up to Single/Dual and Quad core
CPU Clock (Max)	1.2 GHz
PERIPHERALS	
SD / MMC	x2
USB Host / Device	USB 2.0 : 1x Host, 1x OTG
UART	x4, up to 3.6 Mbps
I2C	x2
SPI	x2
S-ATA	MSATA II interface, 3.0 Gbps
RTC	On board
Wi-Fi	802.11 b/g/n
Bluetooth	4.0 BLE
GPIO	Variable, shared with other peripherals
DISPLAY	
HDMI	v1.4 1920 x 1080
LVDS	Dual 1920 x 1200 24-bit
TTL	24-bit
MEMORIES	
FLASH	up to 8 Gbyte
RAM	up to 4 Gbyte DDR3L
eMMC	up to 64 Gbyte

MULTIMEDIA	
3D Graphics Acceleration	GPU 3D Vivante
Video Encode / Decode	1080p60 H.264 Decode, 1080p30 H.264 Encode
Camera Interface	1x CSI, 2x CPI
Audio	Integrate codec/ PAmplifier
SOFTWARE SUPPORT	
Linux	4.9 Yocto
Android	7.1 NOUGAT
Ubuntu	12.04 LTS
MECHANICAL SPECIFICATIONS	
Board size	189 x 116 mm
ELECTRICAL SPECIFICATIONS	
Power supply	5V or 18-3 6V
Consumption	TBD
ENVIRONMENTAL SPECIFICATIONS	
Range temperature	(- 40 to +85°C) Available
LONGEVITY	
Minimum availability	2028