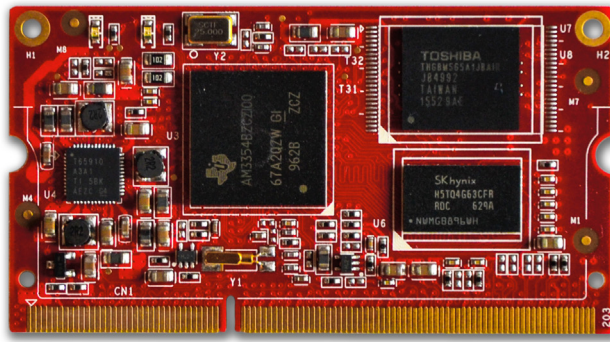


MIREA AM335X

CLOUD SERVICE

HIGH PERFORMANCE



36,5 mm

67,6 mm

Processor Sitara™ AM335x
Software LINUX / ANDROID



APPLICATION AREAS:



MEDICAL



AUTOMATION



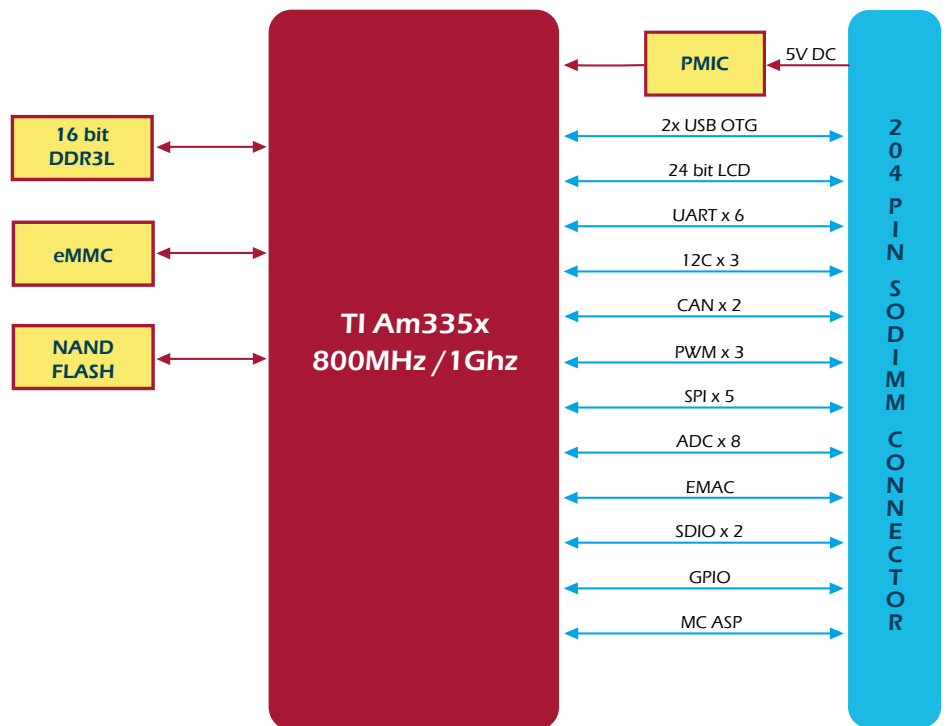
INDUSTRIAL

MIREA AM335x

The MIREA is a core module based on the TI's Sitara AM335X Cortex-A8 processor. The core module is Measured only 67.6mm X 36.5mm, integrates 256MB/512MBytes DDR3 SDRAM and up to 8GBytes eMMC flash. It offers a wide range of interfaces from simple GPIOs, industry standard I2C, SPI, CAN, and UART buses through to high speed USB 2.0 interface, and gigabit Ethernet. The module targets a wide range of applications, including: HMI's, Digital Signage, POS, Data Terminal, Medical Devices, Navigation, Industrial Automation, Entertainment system, Thin Clients, Robotics, Game Console and much more.



MIREA AM335X



CPU	
CPU name	Sitara Texas Instruments
CPU type	AM3352, AM3354, AM3358
Cores	x1
PERIPHERALS	
SD / MMC	x1
USB Host / Device	x2
UART	4+2*
I2C	1+2*
SPI	1+2*
McASP	1+1*
RTC	x1
PWM	2+1*
CAN	1+1*
Ethernet	x1
GPIOs	18+73*
ADC	X8
* These interfaces are available on pins that are multiplexed for other functions	
DISPLAY	
Parallel	x1 16bit
MULTIMEDIA	
2D/3D Graphics Acceleration	X1

MEMORIES	
RAM	512 MB DDR3L
eMMC	FROM 4 to 64Gbyte
NAND	256/512Mbyte
SOFTWARE SUPPORT	
LINUX	Kernel 4.1.15 YOCTO
ANDROID	upon request
Ubuntu	18.04
MECHANICAL SPECIFICATIONS	
Dimensions	67,6 x 36.58 mm
ELECTRICAL SPECIFICATIONS	
Power supply	5VDC
Consumption	500mA
ENVIRONMENTAL SPECIFICATIONS	
Commercial temperature (0 to 70°C)	Available
Extended temperature (-20 to 70°C)	Available
Industrial temperature (-40 to 85°C)	Available
LONGEVITY	
Minimum availability	2028